

4-3 Junction Box (Potting Type)

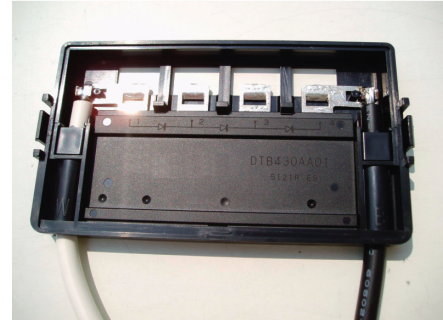
UNICORN

Part No. 4-3JB-*

Note: * shall be changed depending on the wire size. : A-2.5 mm² / B-4 mm² / C-AWG14 / D-AWG12

Specifications

Withstanding Voltage	DC 1000V
Current Rating	DC 8.8A
Temperature Range	-40°C—+85°C
Wire Size	2.5 mm ² / 4 mm ² / AWG14 / AWG12
Enclosure Material	PPO (UL94-5V)

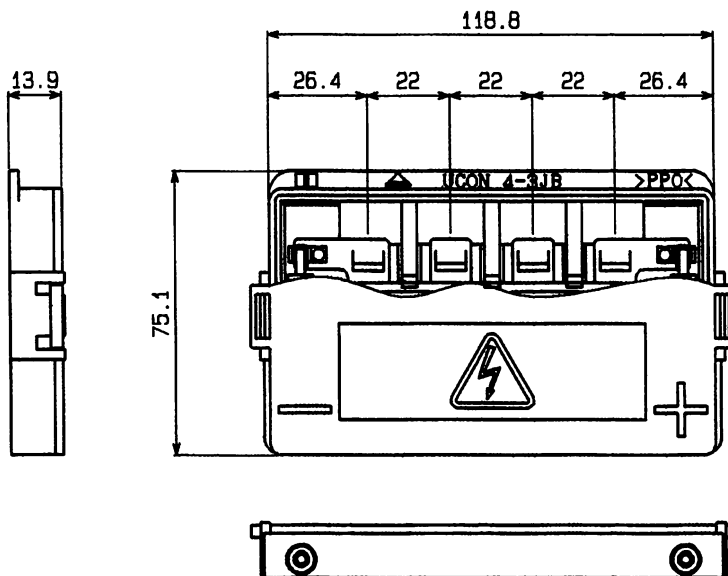


Features

- With 4 terminals and 3 diodes
- 3 in 1 diode module realizes the junction box small-sized and high reliability
- IEC61215 (Edition 2) Conformed *1
- IEC61730-1 (Edition 1), IEC61730-2 (Edition 1) Conformed *1

*1: VDE Approved : Certification No.40016677

External Dimensions



Unicorn Electronics (Europe) Ltd.
Dencora Court, 2, Meridian Way, Norwich, NR7 0TA England
Tel: +44 (0) 1986 782219 Fax: +44 (0) 1986 782219
www.unicorn-e.com Email: info@unicorn-e.com

Specifications subject to change. Consult Unicorn for latest specifications.

2006.06